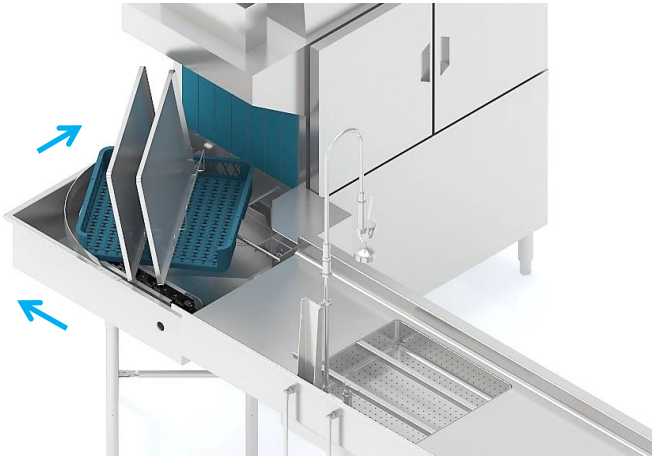


TTL TITE-TURN LOADER



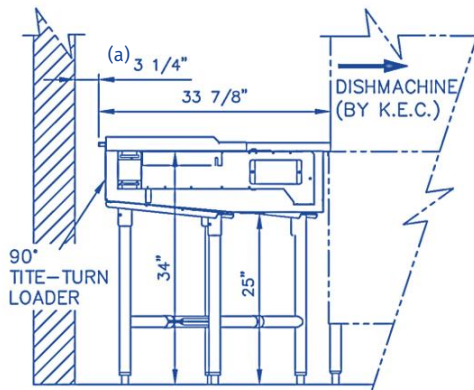
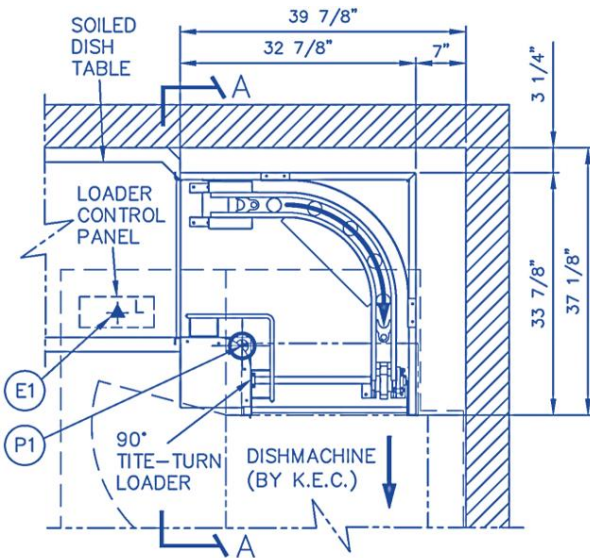
DESCRIPTION

The Tite-Turn Loader allows dish racks to make tightest 90° within 37-1/8" footprint at the dishwasher loading side. Its 90° turn knuckle belt conveyor transports dish racks into the dishwasher. It allows flexibility in dishroom designs to conserve floor space and is ideal for small dishroom application. The Tite-Turn Loader is available in L-R and R-L model. The unit interconnects to any conveyor type dishwasher.

STANDARD FEATURES

- + 14-gauge stainless steel construction
- + Attached to loading side of a dishwasher by stainless steel bolts
- + The 90° turn makes a smooth transition to the dishwasher
- + System is interwired to a dishwasher; it runs when dishwasher runs
- + 90° turn knuckle belt conveyor's pivot-radius drive chain provides motive power to pull 20" x 20" dish racks around a tight radius so that overall dimension from end of dishwasher to far side of Tite-Turn Loader is approximately 39".

DIMENSIONS



ELEVATION A-A



(a) 3/4-4" minimum required for sheet pans to make turn

LEGEND

Plumbing Connections

P1 Drain connection: 1-1/2" drain approx. 25" AFF.

Electrical Connections

E1 Power connection: 208V, 3 ϕ , 15-amp, 60Hz

Voltages Available: - 208V, 3 ϕ & 480V, 3 ϕ
- 120V, 1 ϕ at additional cost

CAD and Revit Files Available Upon Request

WARNING:

Electrical and grounding connections must comply with the applicable portions of the National Electrical Code and/or other local electrical codes.

Plumbing connections must comply with applicable sanitary, safety and plumbing codes.