

TTUL TITE-TURN UNLOADER



DESCRIPTION

The Tite-Turn Unloader allows dish racks to make tightest 90° or 180° turn within 37-1/8" footprint at the dishwasher unloading side. It is ideal for small dishroom application since it allows flexibility in dishroom designs by conserving floor space. The Tite-Turn Unloader is available in L-R, R-L, 90° and 180° model. The unit interconnects to any conveyor type dishwasher.

The Tite-Turn Unloader transports dish racks from the dishwasher onto a clean roller table. The clean roller table accumulates dish racks until the first dish rack activates the limit switch at the end. Both dishwasher and Tite-Turn Unloader will stop when the limit switch is activated. The rollers are elevated allowing a quicker drying time for clean dishes.

STANDARD FEATURES

Tite-Turn Unloader:

- + 14-gauge stainless steel construction
- + Attached to unloading side of a dishwasher by stainless steel bolts
- + System is interwired to a dishwasher; it runs when dishwasher runs
- + 90° turn knuckle belt conveyor's pivot-radius drive chain provides motive power to pull 20" x 20" dish racks around a tight radius so that overall dimension from end of dishwasher to far side of Tite-Turn Unloader is approximately 39"
- + The 90° turn makes a smooth transition to the roller table.
- + Support structure made from 1-5/8" Ø stainless-steel tubing with adjustable flange feet

Clean Roller Table:

- + Comes with removable PVC roller sections
- + Comes with a 14-gauge stainless-steel pan sloped to a drain
- + Support structure made from 1-5/8" Ø stainless-steel tubing with adjustable flange feet
- + The Accumulation switch is integrated with the dishwasher to shut machine off when a rack reaches the end of the table. Accumulation switch is supplied and pre-wired by Aerowerks. Final connection is by K.E.C..
- + Overhead and/or under shelves for storage are available as options.
- + Table length varies depending on its dish rack capacity: 1 rack, 2 rack, ..., 5 rack, etc.

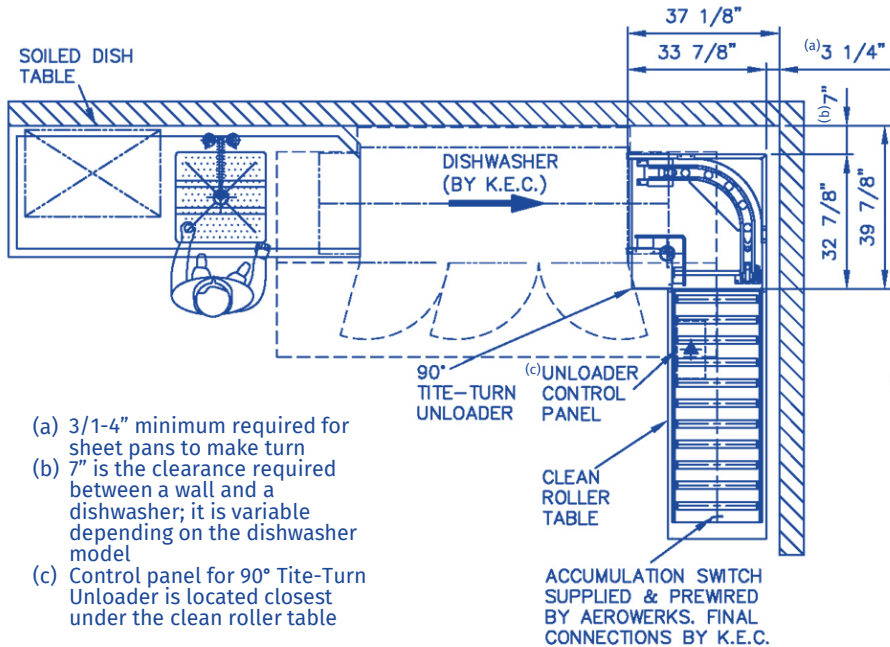


Tite-Turn Model #	Tite-Turn Type	Tite-Turn Dimension (W x L x H)	Clean Roller Table Capacity	Clean Roller Table Dimension (W x L x H)	O.A. Dimension (W x L x H)
TTUL90-CT2	90°	33-7/8" x 32-7/8" x 34"	2 Dish Rack	26" x 48" x 34"	33-7/8" x 80-7/8" x 34"
TTUL90-CT3			3 Dish Rack	26" x 66" x 34"	33-7/8" x 98-7/8" x 34"
TTUL90-CT4			4 Dish Rack	26" x 86" x 34"	33-7/8" x 118-7/8" x 34"
TTUL90-CT5			5 Dish Rack	26" x 106" x 34"	33-7/8" x 138-7/8" x 34"
TTUL90-CT6			6 Dish Rack	26" x 126" x 34"	33-7/8" x 158-7/8" x 34"
TTUL180-CT2	180°	55" x 35" x 34"	2 Dish Rack	26" x 48" x 34"	55" x 83" x 34"
TTUL180-CT3			3 Dish Rack	26" x 66" x 34"	55" x 101" x 34"
TTUL180-CT4			4 Dish Rack	26" x 86" x 34"	55" x 121" x 34"
TTUL180-CT5			5 Dish Rack	26" x 106" x 34"	55" x 141" x 34"
TTUL180-CT6			6 Dish Rack	26" x 126" x 34"	55" x 161" x 34"

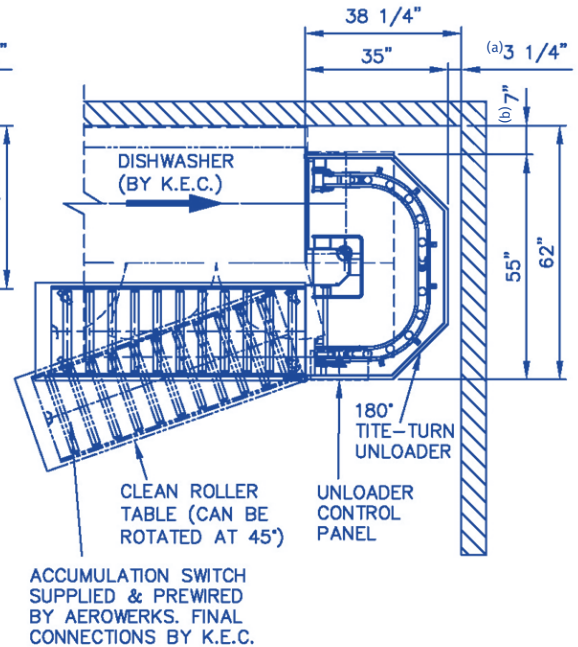
TTUL TITE-TURN UNLOADER

CONFIGURATIONS:

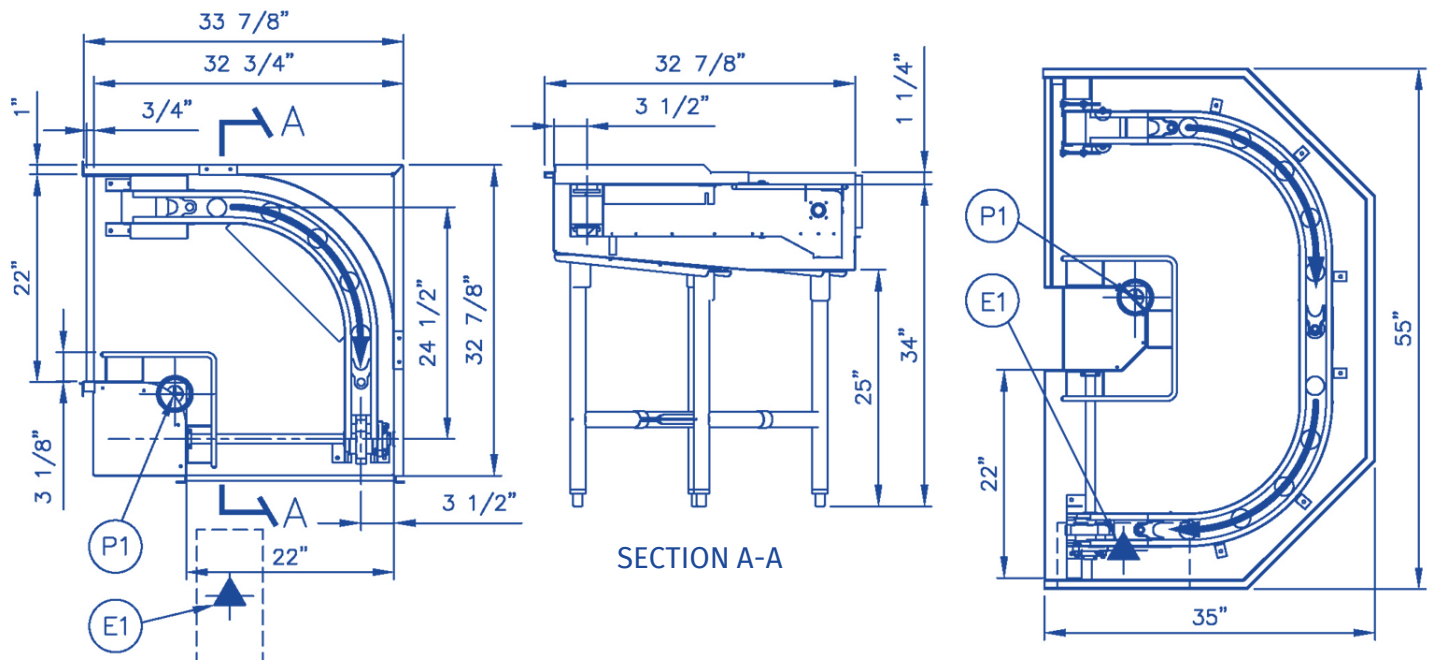
90° Tite-Turn Unloader



180° Tite-Turn Unloader



DIMENSIONS



CAD and Revit Files Available Upon Request

WARNING:

Electrical and grounding connections must comply with the applicable portions of the National Electrical Code and/or other local electrical codes.

Plumbing connections must comply with applicable sanitary, safety and plumbing codes.

LEGEND:

Plumbing Connections	
P1	Drain connection: 1-1/2" drain approx. 25" AFF.
Electrical Connections	
E1	Power connection: 208V, 3φ, 15-amp, 60Hz

Voltages Available: - 208V, 3φ & 480V, 3φ
- 120V, 1φ at additional cost